



- 1
- 2
- 3
- 4
- 5
- 6
- 7
- 8
- 9
- 10
- 11
- 12
- 13
- 14
- 15
- RH

CASE

Glass-fibre reinforced polyamide based (PA) technopolymer, black colour, matte finish.
Moulded-in spindle.

BEZEL

Technopolymer. Moulded over the window.

WINDOW

Transparent polyamide based (PA-T) technopolymer (practically unbreakable).

Resistant to solvents, oils, greases and other chemical agents (avoid contact with alcohol during cleaning operations).

DIAL

Natural matte anodised aluminium.
Clockwise or anti-clockwise graduation, black colour.

READING

The black pointer indicates the number of turns of the spindle from the start position (0); the red pointer indicates the fractions of turn.

RATIO

To choose the ratio see "Positive drive indicators" (on page 556).

IP PROTECTION

The ultrasonic welding of the window to the case guarantees the complete sealing with IP 65 protection class, see table IEC 529 (on page A-19).

FEATURES AND APPLICATIONS

Digital-analogue positive drive indicators are suitable with spindles in any position.

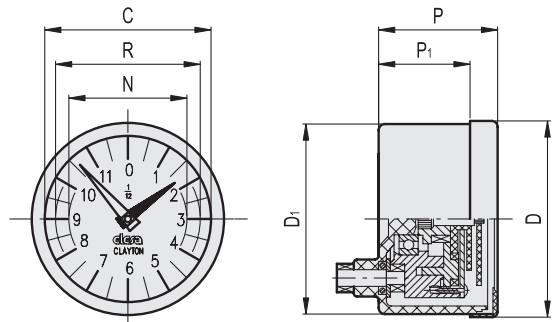
To choose the handwheel see the table "Handwheels/knobs-possible assembly with indicators" (on page 557).

SPECIAL EXECUTIONS ON REQUEST

- Special dial with logo or customised graduations
- Special ratios
- Single pointer



ELESA Original design



METRIC

Conversion Table
1 mm = 0.039 inch

D	
mm	inch
49.8	1.96
68.5	2.70

Serie	D	P	D1	P1	C	R	N	⚖️
PA11	49.8	30	48.2	23	42	37	30	80
PA12	68.5	32	67.0	25	60	51	44	130

Example of description for ordering

PA11 - 0002 - D

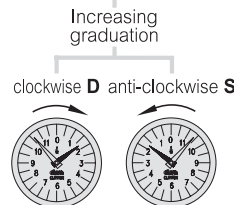
Series

Ratio

Graduation



Ratio	Description	Ratio	Description	Ratio	Description	Ratio	Description
2	0002	12	0012	36	0036	100	0100
4	0004	15	0015	40	0040	120	0120
5	0005	16	0016	48	0048	150 *	0150
6	0006	20	0020	50	0050	200 *	0200
8	0008	24	0024	60	0060		
10	0010	30	0030	72	0072		



* Available only for PA12